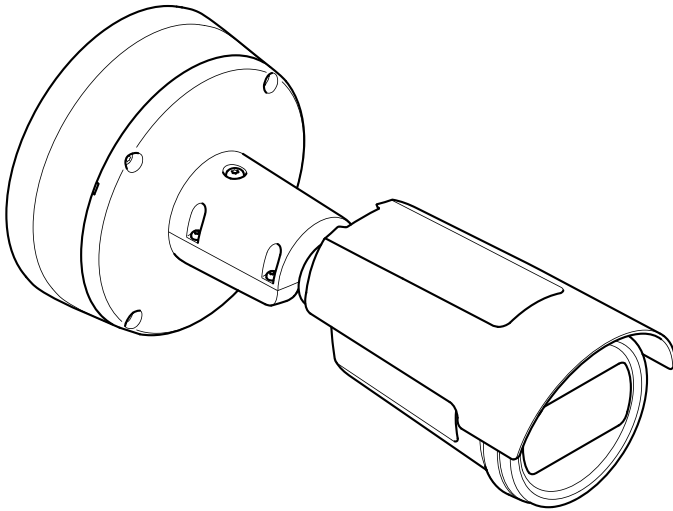


AXIS P1468-XLE Explosion-Protected Bullet Camera



Installation guide

Read this first

Read through this installation guide carefully before you install the product. Keep the installation guide for future reference.

Electromagnetic compatibility (EMC)

This equipment has been designed and tested to fulfill applicable standards for:

- Radio frequency emission when installed according to the instructions and used in its intended environment.
- Immunity to electrical and electromagnetic phenomena when installed according to the instructions and used in its intended environment.

USA

This device complies with part 15 of the FCC Rules. Operation is subject to the following two conditions:

1. This device may not cause harmful interference, and
2. this device must accept any interference received, including interference that may cause undesired operation.

This equipment has been tested using a shielded network cable (STP) and found to comply with the limits for a Class A digital device, pursuant to part 15 of the FCC Rules. These limits are designed to provide reasonable protection against harmful interference when the equipment is operated in a commercial environment. This equipment generates, uses, and can radiate radio frequency energy and, if not installed and used in accordance with the instruction manual, may cause harmful interference to radio communications. Operation of this equipment in a residential area is likely to cause harmful interference in which case the user will be required to correct the interference at his own expense. The product shall be connected using a shielded network cable (STP) that is properly grounded.

Contact information

Axis Communications Inc.
300 Apollo Drive
Chelmsford, MA 01824
United States of America
Tel: +1 978 614 2000

Canada

This digital apparatus complies with CAN ICES-3 (Class A). The product shall be connected using a shielded network cable (STP) that is properly grounded. Cet appareil numérique est conforme à la norme CAN NMB-3 (classe A). Le produit doit être connecté à l'aide d'un câble réseau blindé (STP) qui est correctement mis à la terre.

Europe

This digital equipment fulfills the requirements for RF emission according to the Class A limit of EN 55032. The product shall be connected using a shielded network cable (STP) that is properly grounded. Notice! This is a Class A product. In a domestic environment this product may cause RF interference, in which case the user may be required to take adequate measures.

Australia/New Zealand

This digital equipment fulfills the requirements for RF emission according to the Class A limit of AS/NZS CISPR 32. The product shall be connected using a shielded network cable (STP) that is properly grounded. Notice! This is a Class A product. In a domestic environment this product may cause RF

interference, in which case the user may be required to take adequate measures.

Japan

この装置は、クラスA機器です。この装置を住宅環境で使用すると電波妨害を引き起こすことがあります。この場合には使用者が適切な対策を講ずるよう要求されることがあります。VCCI-A

本製品は、シールドネットワークケーブル (STP) を使用して接続してください。また適切に接地してください。

本製品は電気通信事業者 (移動通信会社、固定通信会社、インターネットプロバイダ等) の通信回線 (公衆無線 LAN を含む) に直接接続することができません。本製品をインターネットに接続する場合は、必ずルータ等を経由し接続してください。

Korea

이 기기는 업무용 환경에서 사용할 목적으로 적합성 평가를 받은 기기로서 가정용 환경에서 사용하는 경우 전파간섭의 우려가 있습니다. 적절히 접지된 STP (shielded twisted pair) 케이블을 사용하여 제품을 연결하십시오.

When this product has reached the end of its useful life, dispose of it according to local laws and regulations. For information about your nearest designated collection point, contact your local authority responsible for waste disposal. In accordance with local legislation, penalties may be applicable for incorrect disposal of this waste.

Europe



■ This symbol means that the product shall not be disposed of together with household or commercial waste. Directive 2012/19/EU on waste electrical and electronic equipment (WEEE) is applicable in the European Union member states. To prevent potential harm to human health and the environment, the product must be disposed of in an approved and environmentally safe recycling process. For information about your nearest designated collection point, contact your local authority responsible for waste disposal. Businesses should contact the product supplier for information about how to dispose of this product correctly.

This product complies with the requirements of Directive 2011/65/EU and 2015/863 on the restriction of the use of certain hazardous substances in electrical and electronic equipment (RoHS).

China



This product complies with the requirements of SJ/T 11364-2014, Marking for the restriction of hazardous substances in electrical and electronic products.

有毒有害物质或元素						
部件名称	铅 (Pb)	汞 (Hg)	镉 (Cd)	六价铬 (Cr- (VI))	多溴联苯 (PB- B)	多溴二苯醚 (PB- DE)
电气安装部分	X	0	0	0	0	0
<p>0: 表示该有毒有害物质在该部件均质材料中的含量均在GB/T 26572标准规定的限量要求以下。</p> <p>X: 表示该有毒有害物质至少在该部件的某一均质材料中的含量超出GB/T 26572标准规定的限量要求。</p>						

Contact information

Axis Ex AB
Gränden 1
223 69 Lund
Sweden

Tel: +46 46 272 18 00

Fax: +46 46 13 61 30

axis.com

Warranty information

For information about Axis' product warranty and thereto related information, go to axis.com/warranty.

Support

Should you require any technical assistance, please contact your Axis reseller. If your questions cannot be answered immediately, your reseller will forward your queries through the appropriate channels to ensure a rapid response. If you are connected to the Internet, you can:

- download user documentation and software updates
- find answers to resolved problems in the FAQ database, search by product, category, or phrase
- report problems to Axis support staff by logging in to your private support area
- chat with Axis support staff
- visit Axis Support at axis.com/support

Learn more!

Visit Axis learning center axis.com/learning for useful trainings, webinars, tutorials and guides.

AXIS P1468-XLE Explosion-Protected Bullet Camera

Version history

Version	Date	Details
1.0	2022-12-15	First release

Specific conditions of use

⚠ WARNING

Always refer to the product certificates for any specific conditions of use.

- Take precautions to minimise the risk of electrostatic charging. For more information, see *Maintenance on page 6*.
- The device shall only be installed in an area assessed with a low risk of mechanical damage from impact.
- The equipment shall only be used in an area of at least pollution degree 2, as defined in IEC 60664-1.
- Equipment must not be exposed to impact energy exceeding 2 Joules to the window, and 4 Joules to the rest of the body.
- Orientation of the product must be in accordance with the installation instructions. The device must not be surrounded with more dust than the surfaces can retain.
- Transient protection shall be provided that is set at a level not exceeding 140% of the peak rated voltage value at the supply terminals to the equipment
- Capacitance of accessible metal parts of the equipment is 85.4 pF and shall be considered in the specific application.

Installation

⚠ WARNING

All installation and maintenance must be carried out by a suitably skilled electrician in accordance with all local and national standards and codes of practice e.g. NFPA70 (National Electrical Code), CSA C22.1 (Canadian Electrical Code, Part I Safety Standard for Electrical Installations), IEC/EN 60079-14 (Explosive atmospheres - Electrical installations design, selection and erection) and IEC/EN 60079-17 (Explosive atmospheres. Electrical installations inspection and maintenance).

- The installer must comply with the technical data attached.
- Ensure that all items are approved and certified for the environmental and installation requirements. Check the rating label to ensure that the device is being used within the correct ambient temperature and environmental conditions, and that the power supply is suitable.
- The device must be installed $\leq 2\ 000$ m above sea level.
- Cable entry points can reach a temperature of 81.1°C. Use a suitable cable for the end application.

AXIS P1468-XLE Explosion-Protected Bullet Camera

- Modifications or design changes to the device are not allowed.
- Safety rules and national regulations must be observed.
- Never install the device in an area that may exceed the ambient temperature range.
- Aggressive substances may require extra protection.
- The device must be protected by additional means of protection if it is exposed to excessive external stress, that is vibration, heat or impact.
- If the device is not used in a manner specified by the manufacturer, the device's protection may be impaired. Incoming cables must comply with the national standards.
- If the device is re-installed or the incoming cables are re-wired, new grommets must be used. The rubber of the grommet must be fresh and the grommet must be unused.
- Replacement parts may only be installed using component parts as specified by Axis Ex AB.
- Fixing brackets must be tightened upon installation. Suitable screws must be used. See the device's datasheet for information about the weight.
- Install in an appropriate environment, according to IEC/EN/UL 60079-14 and IEC/EN/UL 60079-17.
- The power connector must be glued when connected. Apply glue on the male connector.

Manufacturer	Glue type	Temperature range of adhesive
Gorilla Glue	Gorilla Super Glue	-55°C to +100°C
Henkel	LOCTITE 402	-40°C to +135°C
Permabond	Permabond 801	-55°C to +130°C
Permabond	Permabond 802	-55°C to +160°C
Permabond	Permabond 820	-55°C to +200°C

Wiring

▲WARNING

Disconnect the device from the power source before starting any operations.

- Ensure that the voltage is correct before beginning any maintenance or connections.
- The device must be electrically installed and serviced by skilled persons.
- Earth connection ferrule should be of a suitable material to avoid corrosion.
- Use suitably color coded conductors or other means of identification. Earthing conductors should be green and yellow.
- Use only certified cable devices that matches the end application.
- In each installation, main equipotential bonding conductors shall connect to the main earthing terminal extraneous conductive-parts of that installation. Where supplementary

AXIS P1468-XLE Explosion-Protected Bullet Camera

equipotential bonding is necessary, it shall connect together the exposed conductive-parts of the device in the circuits concerned and extraneous-conductive-parts. The external bonding cable shall be 4 mm².

Maintenance

The device does not contain any servicable parts. No covers or seals should be removed.

⚠ WARNING

It is strictly prohibited to carry out any attempt of repairs other than by approved and trained personnel.

- You may only open the device to access the SD card and to connect the cables. Do not remove the device's front glass for any other reason.
- Check all mounting fasteners for tightness at a regular interval.
- To maintain a smooth operation, clean the device regularly. Use water, mild detergent and a damp cloth.
- Be careful not to scratch, damage or leave fingerprints on the front glass. This could decrease image quality. If possible, keep the protective plastic on the front glass until the installation is completed.
- Never use harsh detergents, gasoline, benzene, acetone, or similar chemicals.

Battery

The Axis product uses a 3.0 V BR1632 lithium battery as the power supply for its internal real-time clock (RTC). Under normal conditions this battery will last for a minimum of five years.

Low battery power affects the operation of the RTC, causing it to reset at every power-up. When the battery voltage is low, a log message will appear in the product's server report.

⚠ CAUTION

Do not replace the battery yourself. Contact Axis support if the log message requests a battery change.

Lithium coin cell 3.0 V batteries contain 1,2-dimethoxyethane; ethylene glycol dimethyl ether (EGDME), CAS no. 110-71-4.

Further information

- The user manual is available at axis.com
- To check if there is updated firmware available for your device, see axis.com/support
- For useful online trainings and webinars, see axis.com/academy

AXIS P1468-XLE Explosion-Protected Bullet Camera

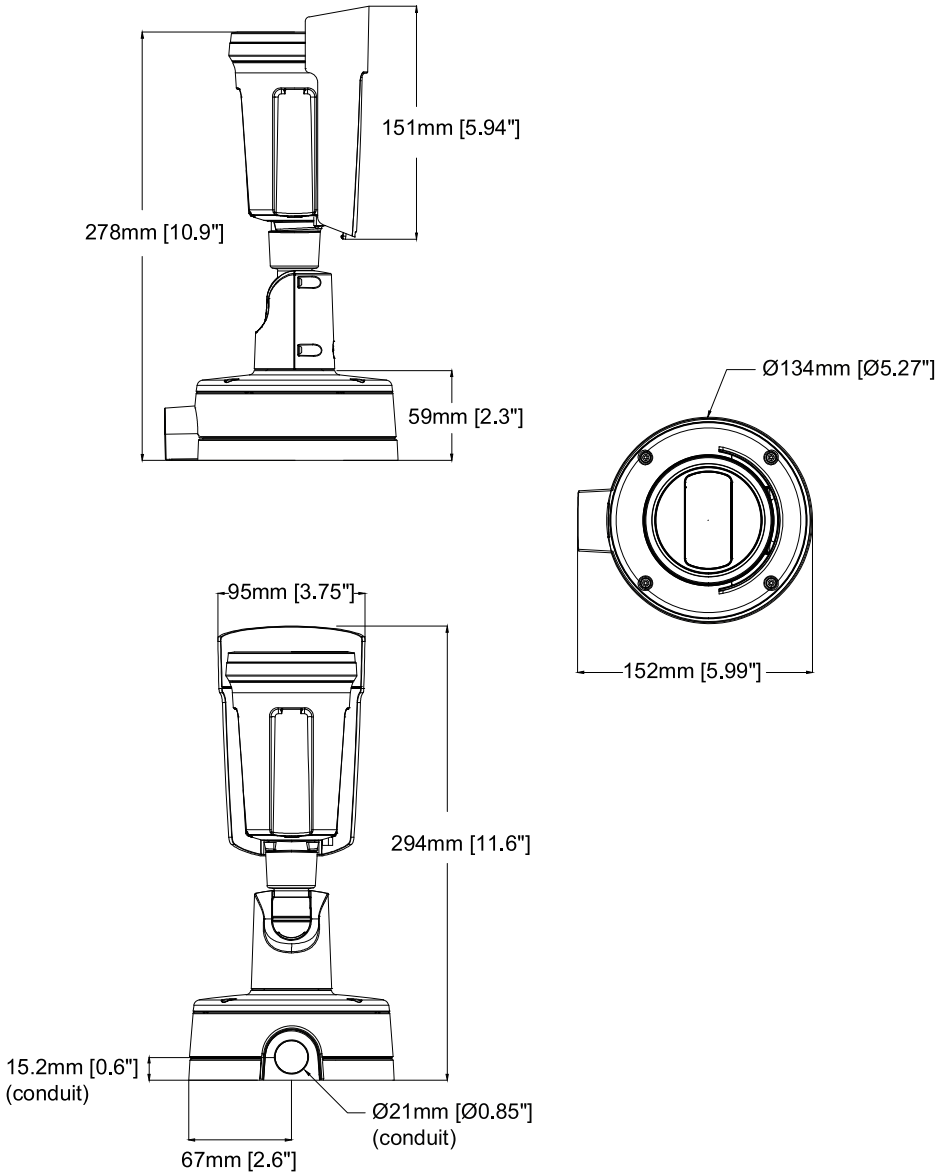
Optional accessories

For a complete list of available accessories for this product, go to the product's page on axis.com and select Software & Accessories.

AXIS P1468-XLE Explosion-Protected Bullet Camera

Specifications

Dimensions



AXIS P1468-XLE Explosion-Protected Bullet Camera

Markings



CAUTION:
 HOT SURFACE
 DO NOT TOUCH
 ATTENTION:
 SURFACE CHAUDE
 NE PAS TOUCHER

ATENÇÃO:
 SUPERFÍCIE QUENTE
 NÃO TOQUE
 注意:
 高い表面
 手を触れないでください

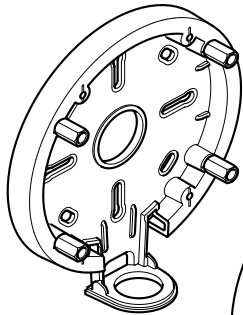
WARNING
 POTENTIAL ELECTROSTATIC CHARGING
 HAZARD - SEE INSTRUCTIONS.
 DO NOT OPEN WHEN AN EXPLOSIVE
 ATMOSPHERE IS PRESENT.
 SPECIFIC CONDITIONS OF USE - SEE
 INSTRUCTIONS.

AVERTISSEMENT
 RISQUE POTENTIEL DE CHARGE
 ELECTROSTATIQUE - VOIR LES INSTRUCTIONS.
 NE PAS OUVRIRE LORSQU'UNE ATMOSPHERE
 EXPLOSIVE EST PRESENTE.
 CONDITIONS D'UTILISATION SPECIFIQUES -
 VOIR LES INSTRUCTIONS.

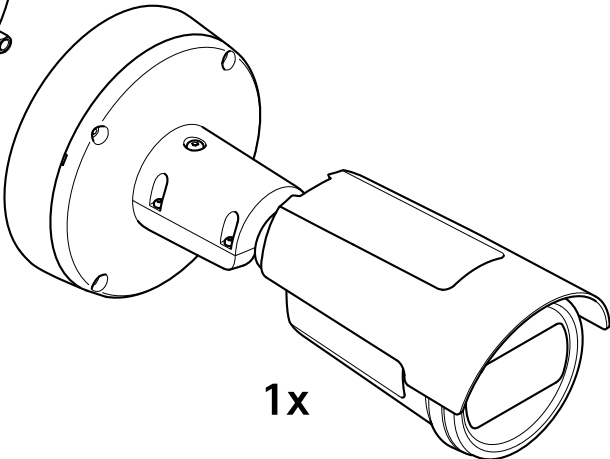
ATENÇÃO
 NÃO ABRA QUANDO UMA ATMOSFERA
 EXPLOSIVA ESTIVER PRESENTE.
 O EQUIPAMENTO POSSUI CONDIÇÕES DE
 ESPECIFICAS DE UTILIZAÇÃO SEGURA.
 VER AS INSTRUÇÕES.
 POTENCIAL RISCO DE CARGA ELECTROSTATICA.
 VER INSTRUÇÕES.

警告
 静電気による帯電の危険性が
 あります - 説明書を参照して
 ください。
 爆発性雰囲気が存在する
 ときは開けないでください。
 特定の使用条件 - 説明書を参
 照してください。

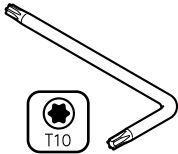
AXIS P1468-XLE Explosion-Protected Bullet Camera



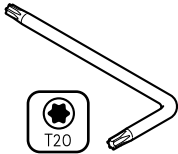
1x



1x



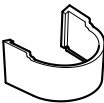
1x



1x



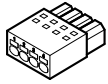
1x



1x



1x



1x

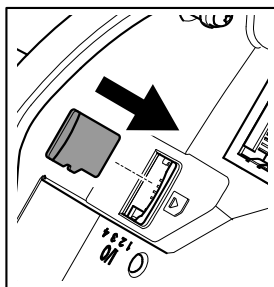
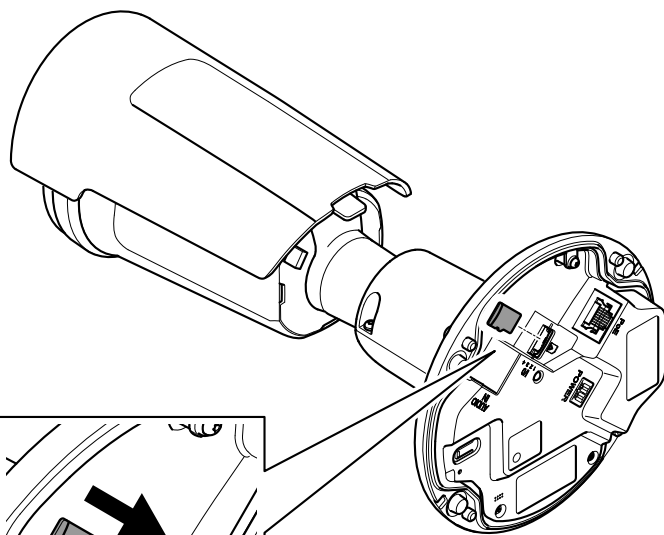


2x

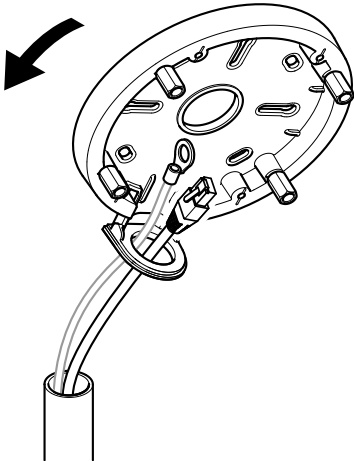
AXIS P1468-XLE Explosion-Protected Bullet Camera



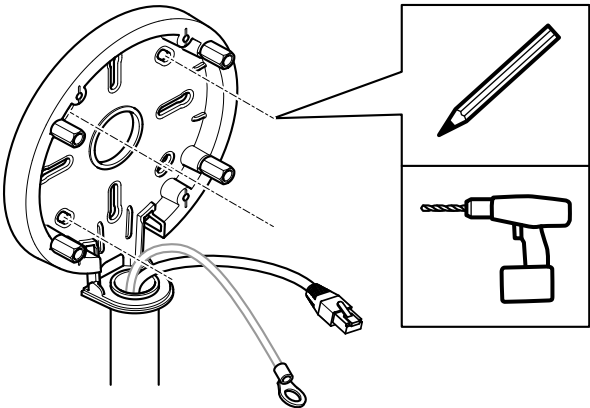
microSD
microSDHC
microSDXC



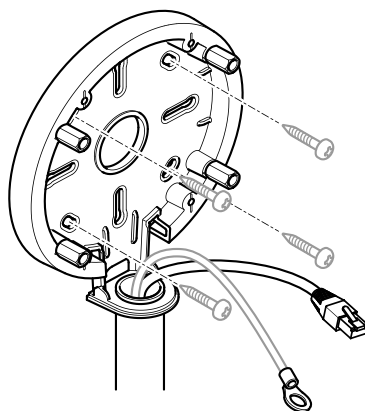
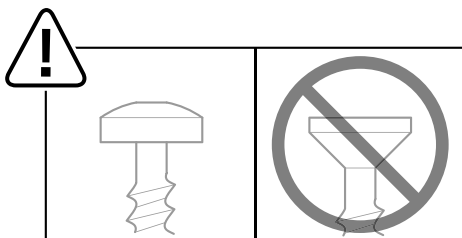
1.1



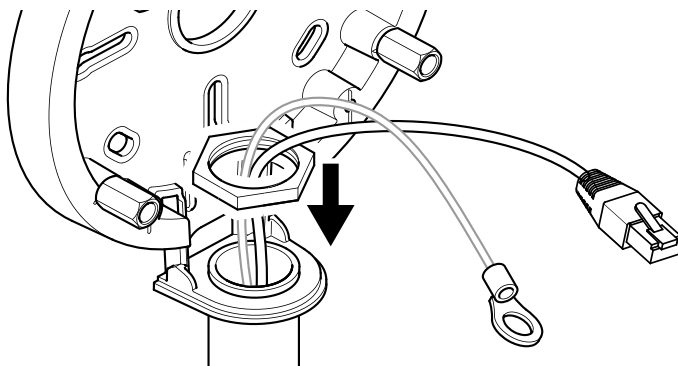
1.2



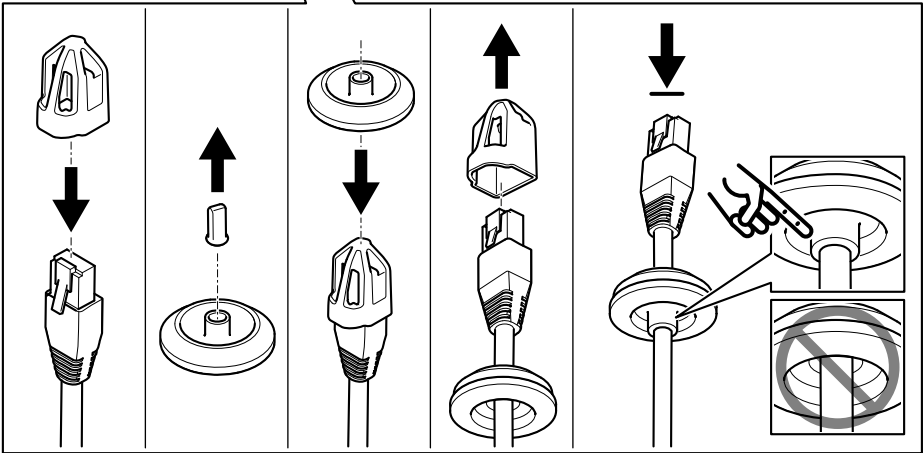
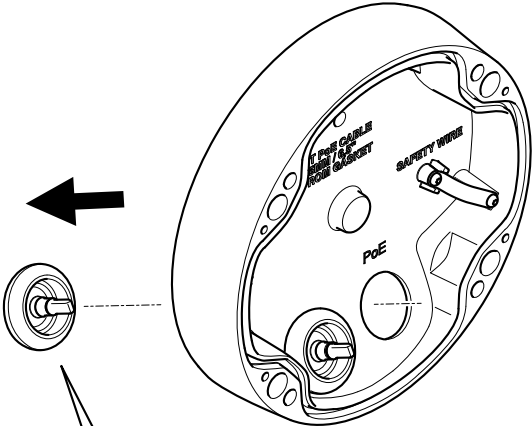
1.3



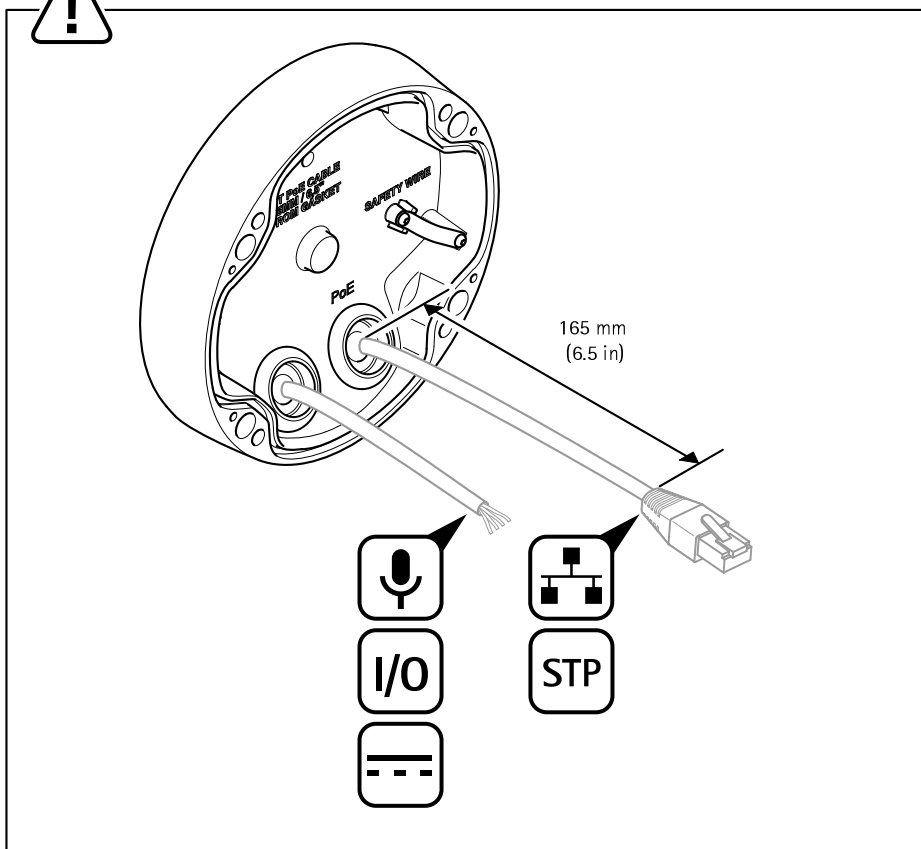
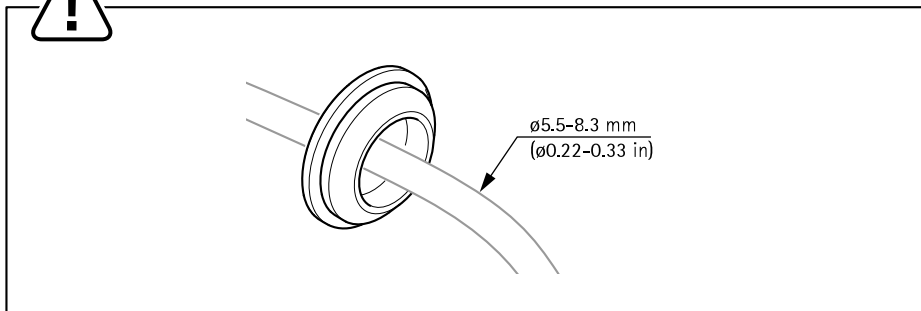
1.4



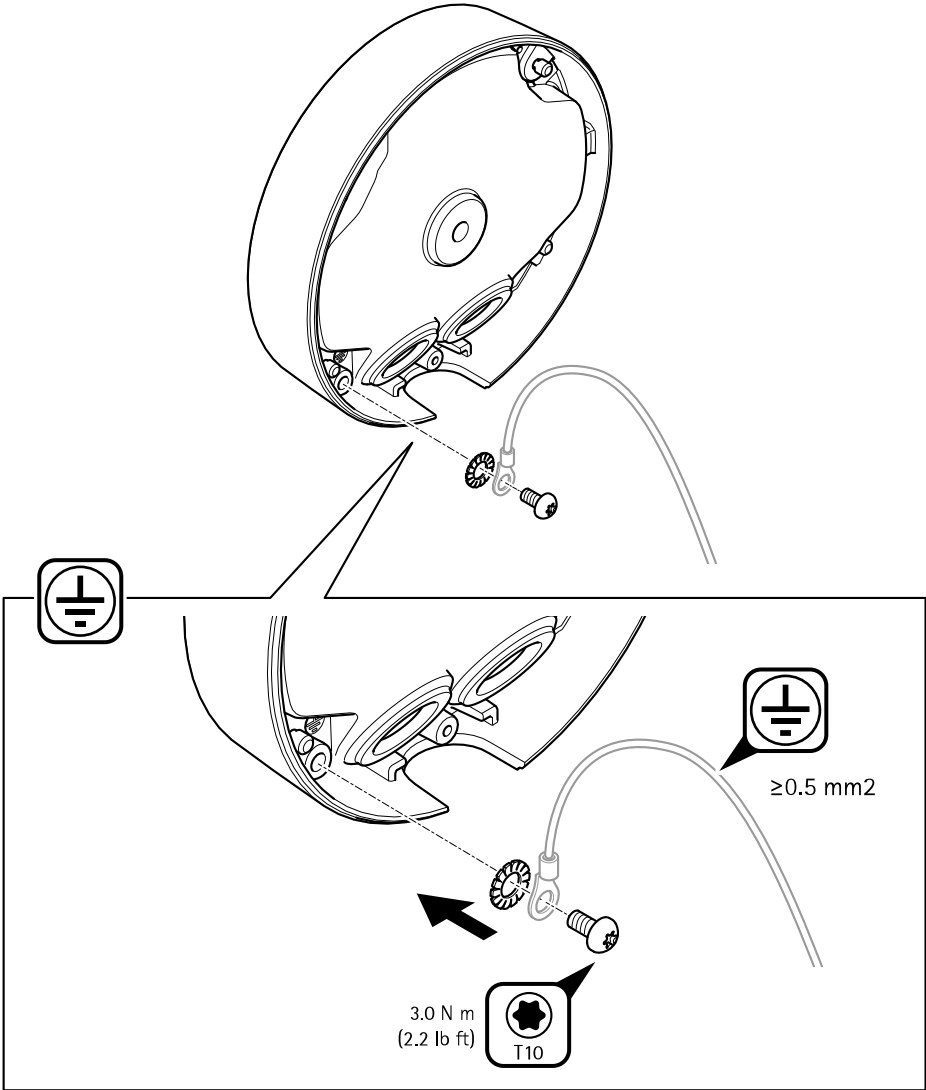
1.5



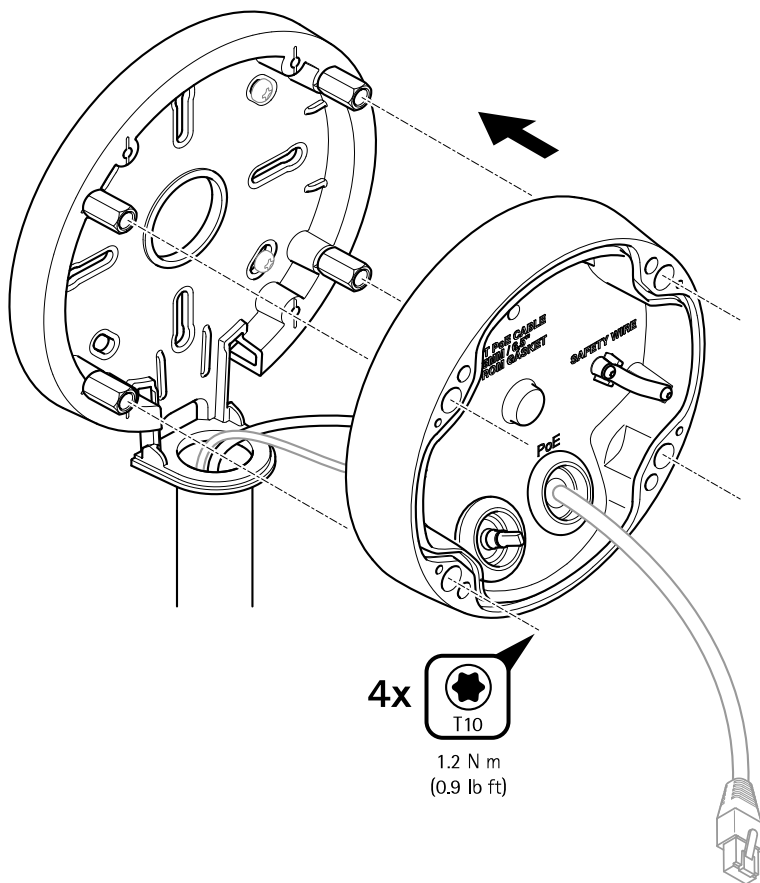
AXIS P1468-XLE Explosion-Protected Bullet Camera



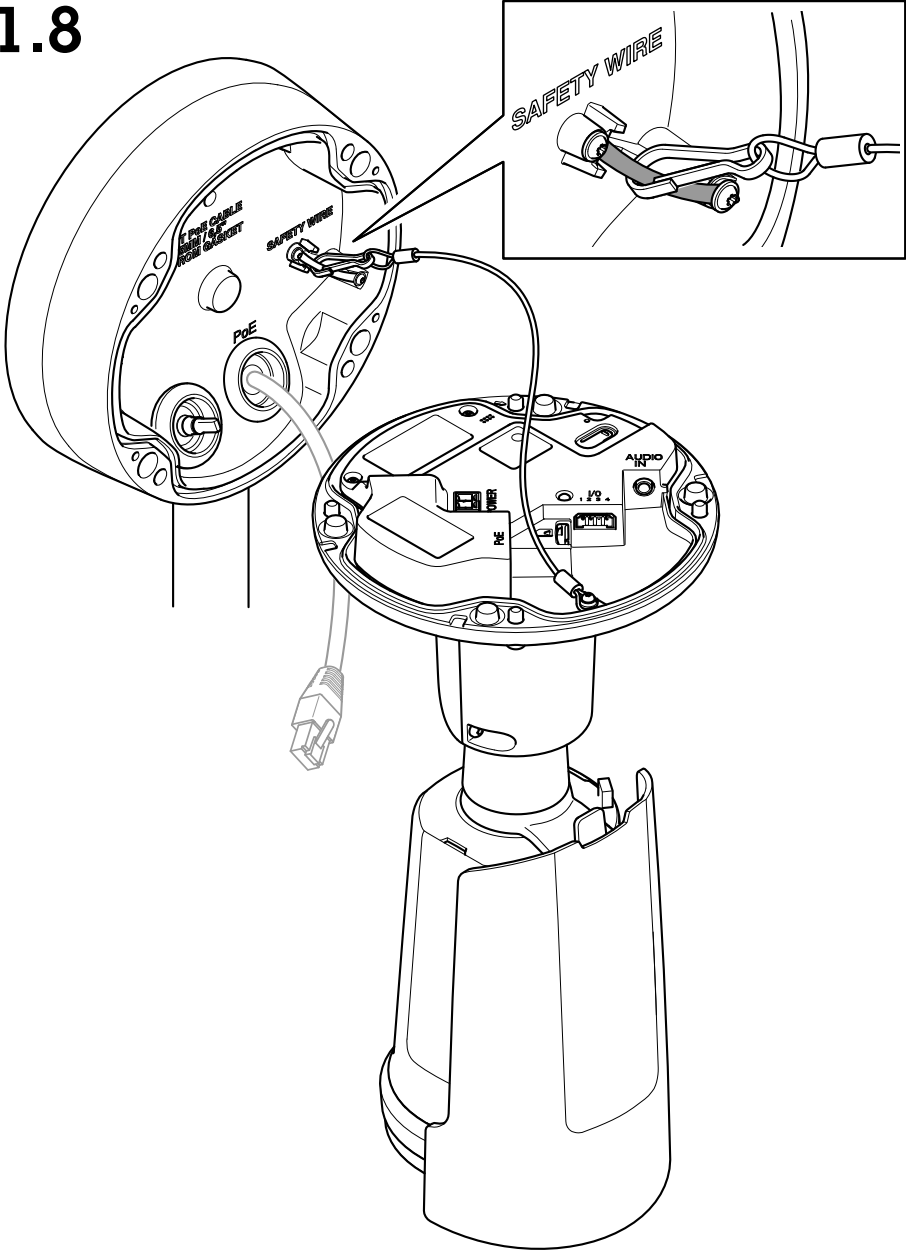
1.6



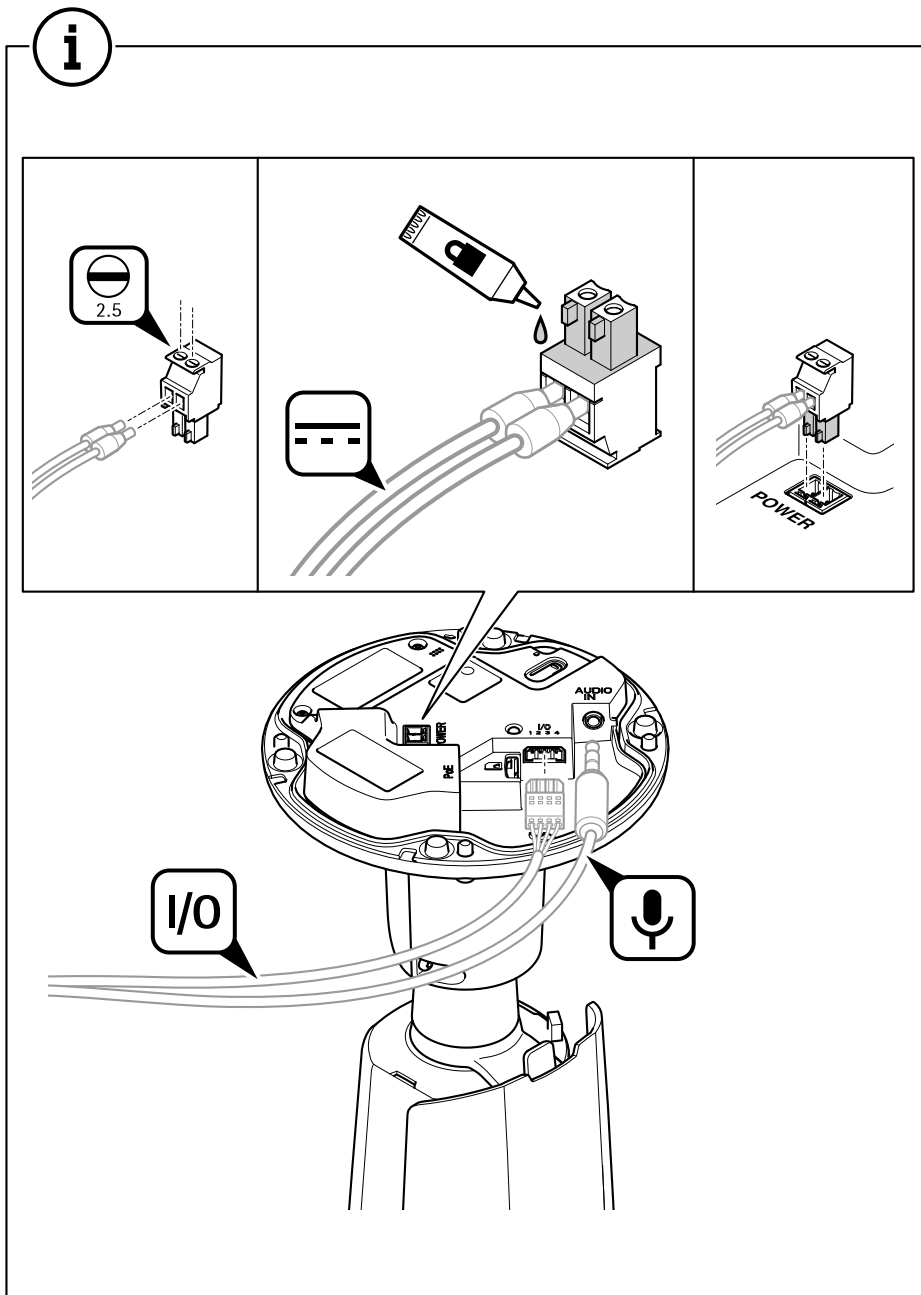
1.7



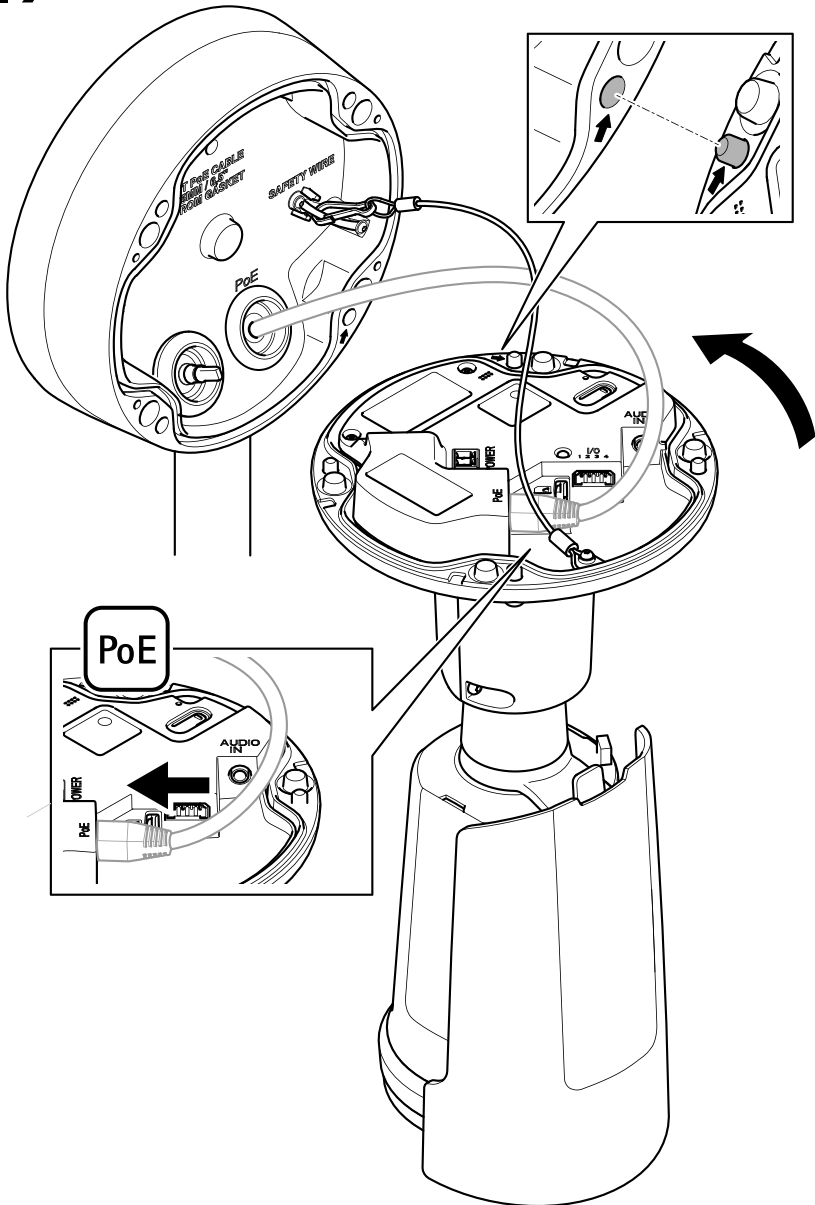
1.8



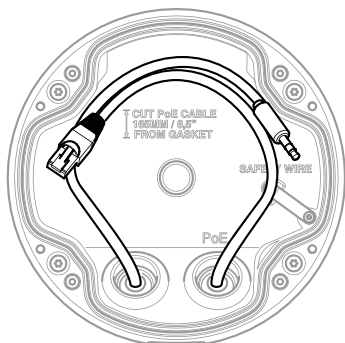
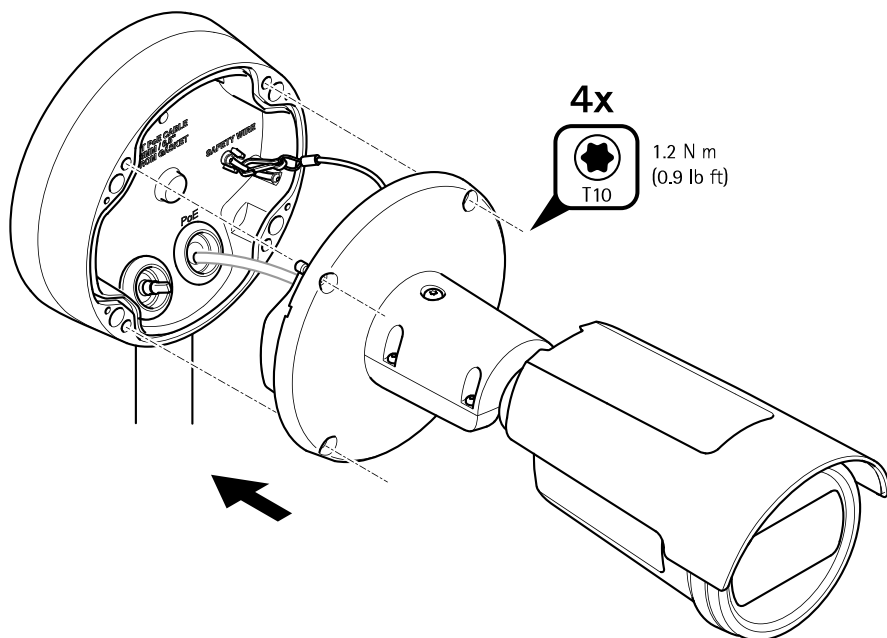
AXIS P1468-XLE Explosion-Protected Bullet Camera



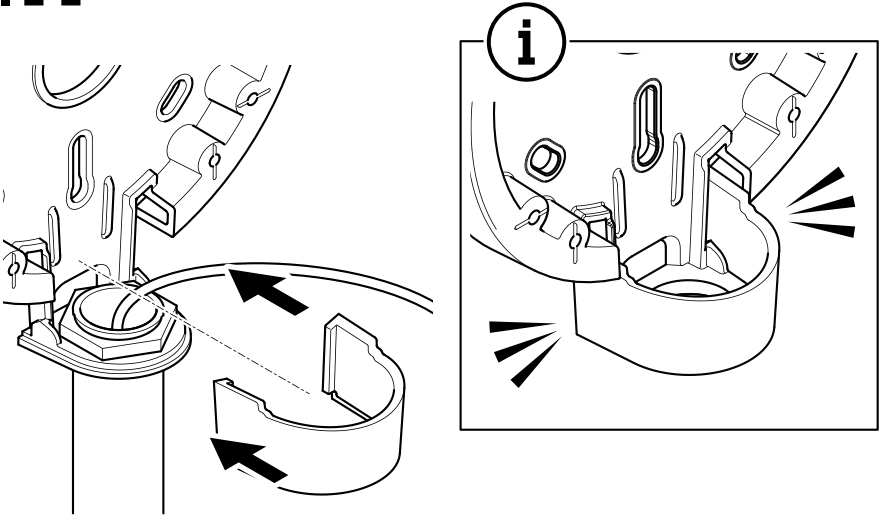
1.9



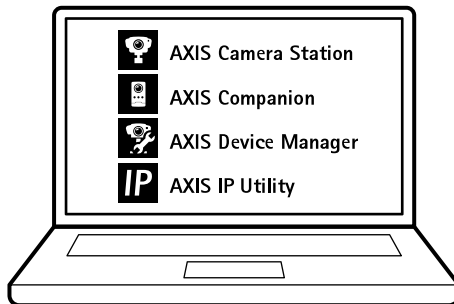
1.10



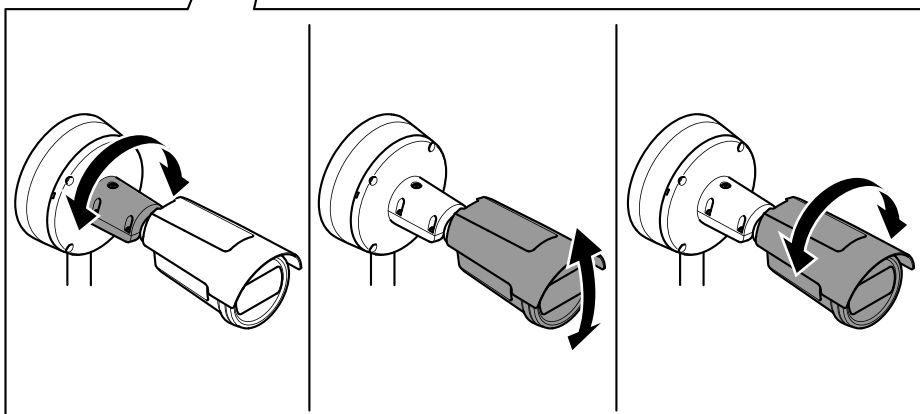
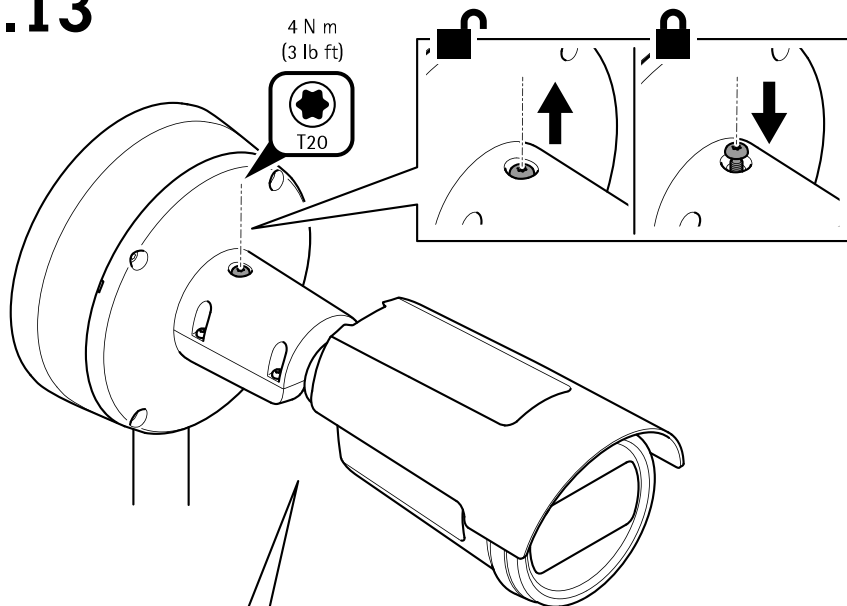
1.11



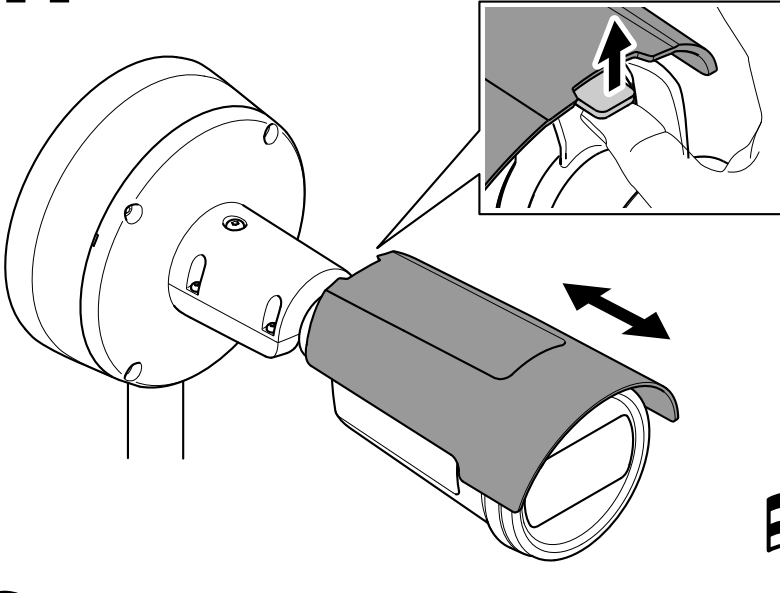
1.12



1.13



1.14



i

